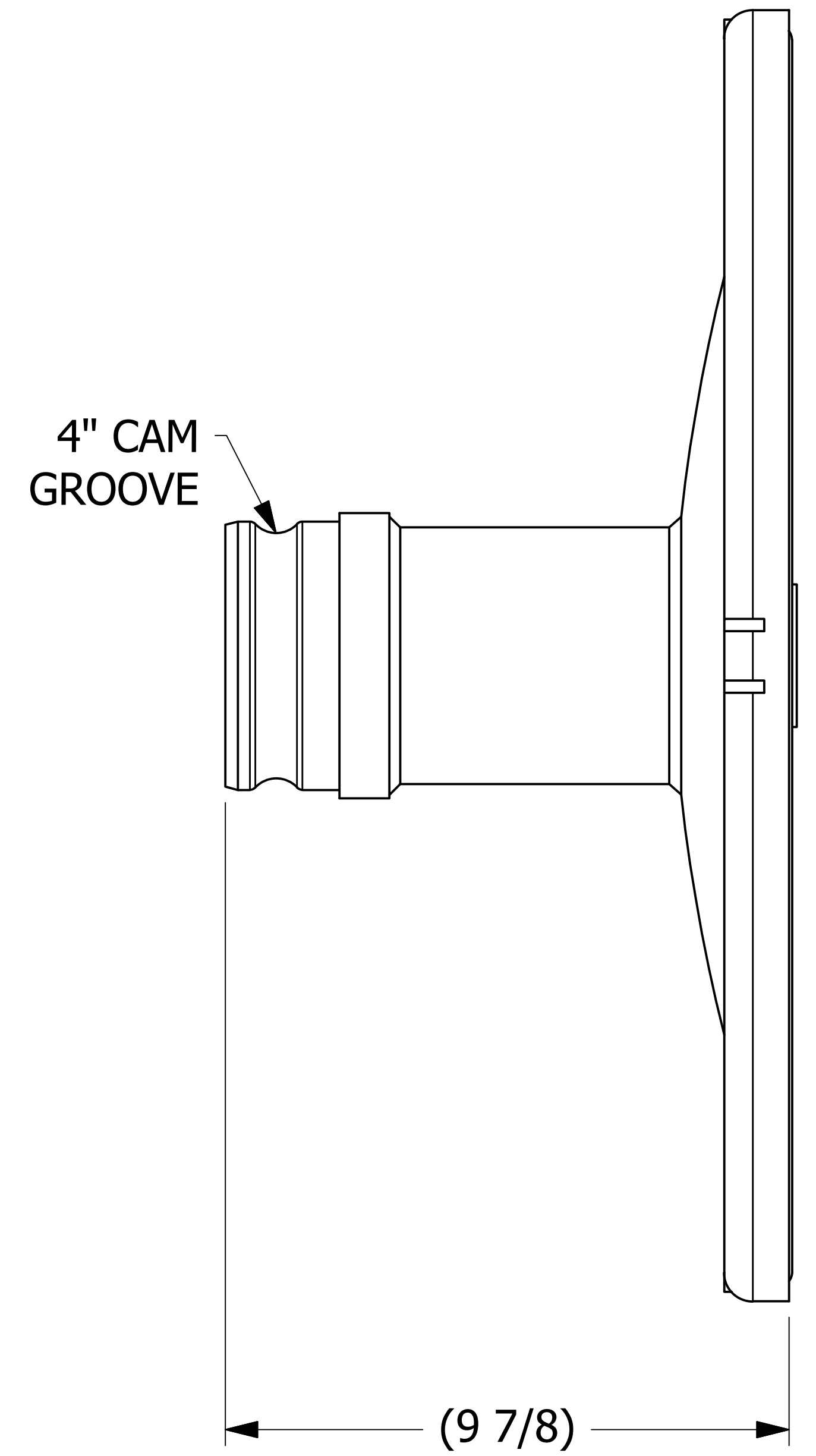
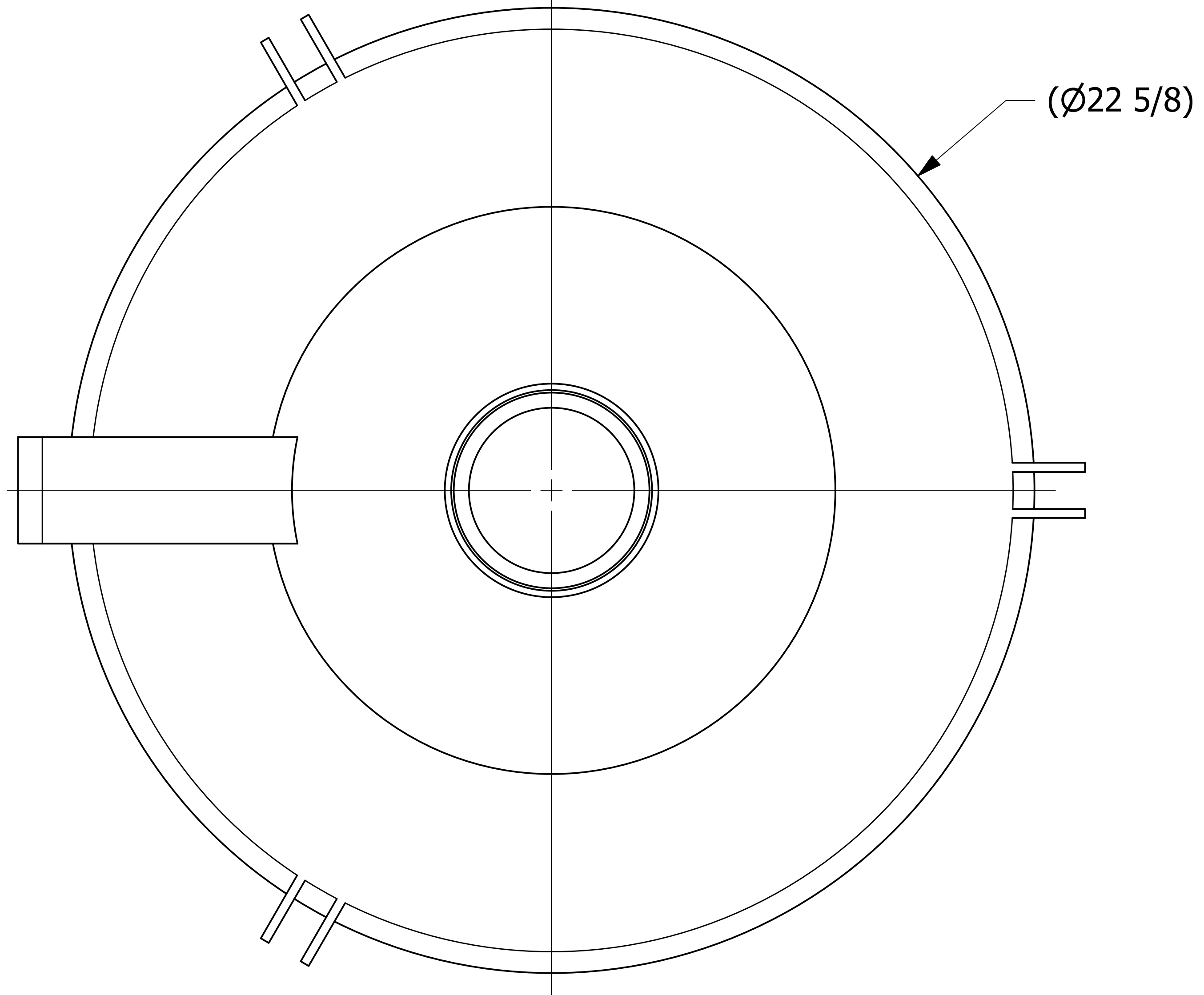
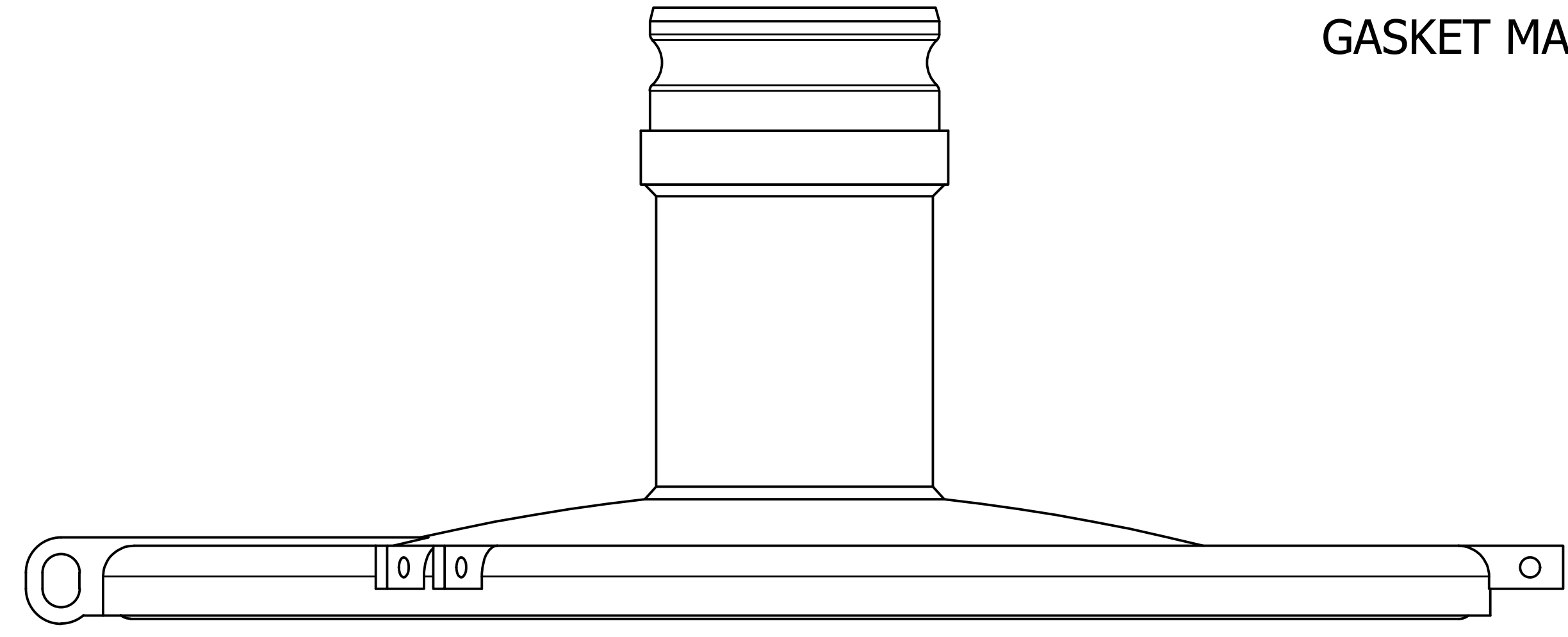


SALES DRAWING SALES DRAWING SALES DRAWING SALES DRAWING SALES DRAWING

SALES DRAWING SALES DRAWING SALES DRAWING SALES DRAWING SALES DRAWING



NOTE:
GASKET MATERIAL IS WHITE FDA PVC.



UNLESS OTHERWISE SPECIFIED
DIMENSIONAL TOLERANCES
FRACTIONAL: ±1/16
X.XX: ±.03
X.XXX: ±.015
ANGULAR: ±1°
DEBURR ALL SHARP EDGES.
ALL MACHINED SURFACES TO
HAVE A 125 RMS FINISH
UNLESS NOTED OTHERWISE.
THIRD ANGLE PROJECTION

DRAWN BY:	JG
CHECKED BY:	EJF
PROTOTYPE DATE:	2/17/2017
APPROVED FOR PRODUCTION BY:	EJF
PRODUCTION DATE:	2/22/2017
SIZE:	D
DRAWING #:	45052

B	WEB	10/21/21	202110211324	WEB
REV	BY	DATE	REF #	PUB
SALCO PRODUCTS, INC.				
PART NAME: LOADING COVER 20"				
MATERIAL: ALUMINUM				
PROJECT #: R170214F			SHEET #: 1 OF 1	SCALE: 1:2
PART #: LC20A6A				